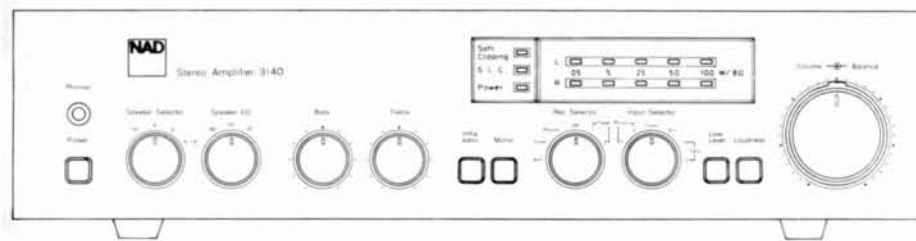


SERVICE MANUAL

NAD MODEL 3140

STEREO AMPLIFIER



CONTENTS

SPECIFICATION	PAGE 2
INSIDE VIEW OF UNIT	PAGE 3
BLOCK DIAGRAM	PAGE 4
CIRCUIT DIAGRAM	PAGE 5
PCB PARTS LOCATION	PAGE 6
ALIGNMENT	PAGE 7
WIRING DIAGRAM	PAGE 8
ASSEMBLY DIAGRAM	PAGE 9
PACKING DIAGRAM	PAGE 10
PARTS LIST	PAGE 10,11,12,13 14 15 16

SPECIFICATION

* Measurements identified by an asterisk are taken in accordance with the new IHF A-202 amplifier measurement standard.

Power Amplifier Section

* Continuous average power output at 8 ohm 20-20K Hz both channel driven	40W
Rated distortion, 20-20K Hz	0.03%
* Clipping headroom at 8 ohms	+1.7dB
Clipping power at 8 ohms	60W
at 4 ohms	80W
at 2 ohms	90W
Dynamic headroom at 8 ohms	+3dB
Dynamic power at 8 ohms	80W
at 4 ohms	130W
at 2 ohms	160W
* Transient Overload Recovery Time	1 usec
* Slew Factor	50
Slew Rate	30V/usec
Damping factor at 50 Hz (Ref. 8 ohms)	100
T.H.D. 20-20K Hz From 250mW to 60W	0.02%
S.M.P.T.E. I.M.D. (60Hz+7KHz, 4:1) From 250mW to 60W	0.02%
I.H.F. I.M.D. (19KHz+20KHz) at 60W	0.02%
T.I.M. (15KHz Sine+3.18KHz Square Wave) at 60W	0.02%
Frequency Response, 20-20K Hz	+0.5dB
Frequency Response Range +3dB	15-35KHz

Preamplifier Section

PHONO 1 Input Impedance	47K /100PF
PHONE 2 Input capacitance (SELECTABLE)	100P/200P/320
Input Sensitivity(1KHz) *For 1 watt out	0.45mV
40 watt out	2.8mV
Input Overload at 1KHz	200mV
20Hz	20mV
20KHz	2V
THD(20-20K Hz)and IMD at+30dB input level	0.01%
RIAA Response Accuracy	+0.2dB
Signal to Noise Ratio A-weighted	
(a) with phono cartridge connected *Ref 5mV	76dB
(b) with short-circuit input Ref 5mV	79dB

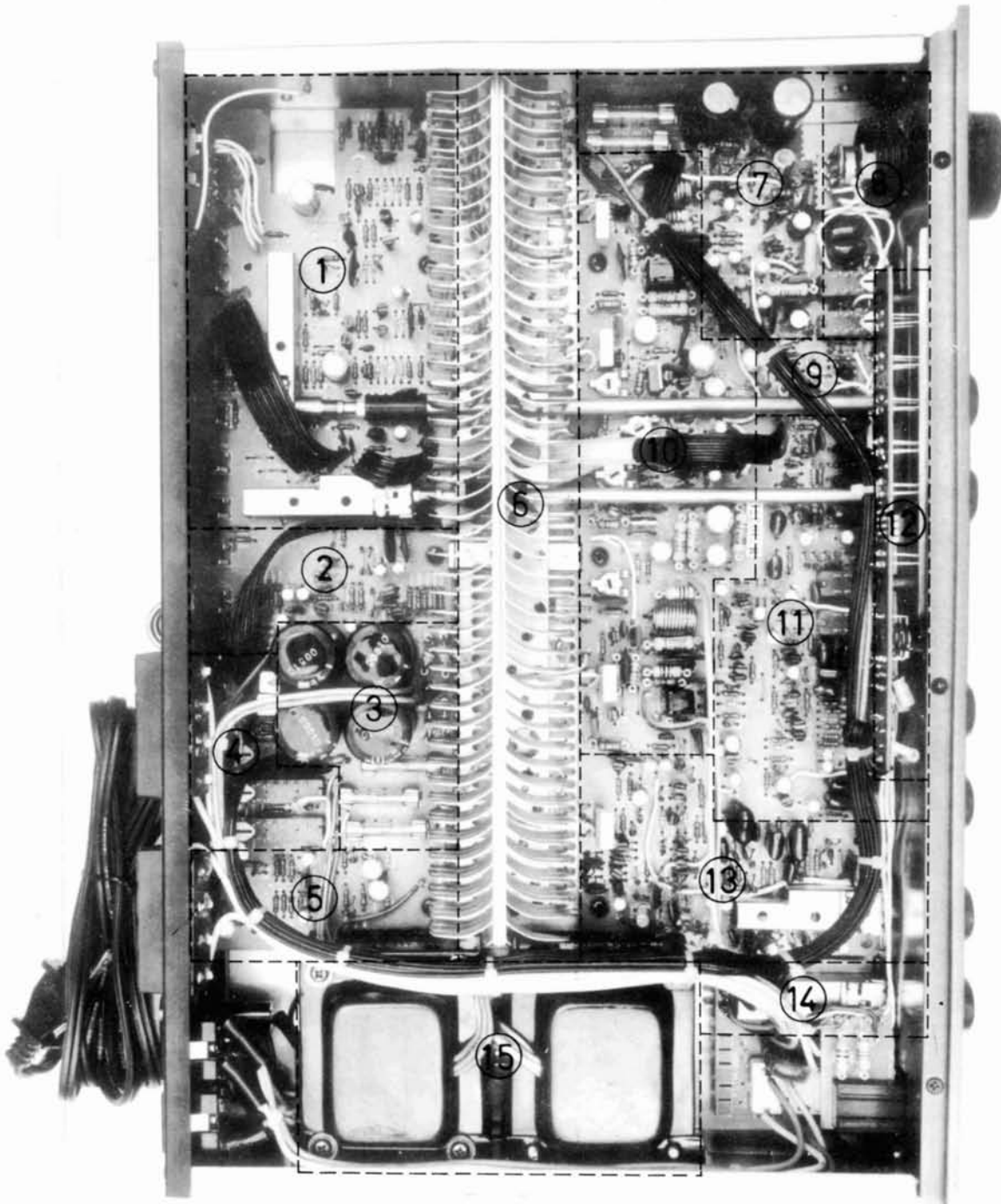
High level input

* Input impedance Resistance/Capacitance	R=50K /220pF
Input sensitivity *For 1 watt out	25mV
For 40 watt out	160mV
Signal to Noise Ration, A-Weighted	
(a) with mute off *Ref 1 watt out	80dB
Ref 40 watt out	95dB
(b) with mute on Ref 1 watt out	93dB
* Maximum input signal	12V
Frequency Response, 20-20K Hz	+0.5dB

Controls

Bass control, range at 100 Hz	+8db
Treble control, range at 10 KHz	+7db
Infrasonic filter Turn over frequency	15Hz
Slope(dB/octave)	12db
SEPAKER EQ Turn over frequency	45Hz and 70Hz
Slope(dB/octave)	12
Mute	-20db

INSIDE VIEW OF UNIT

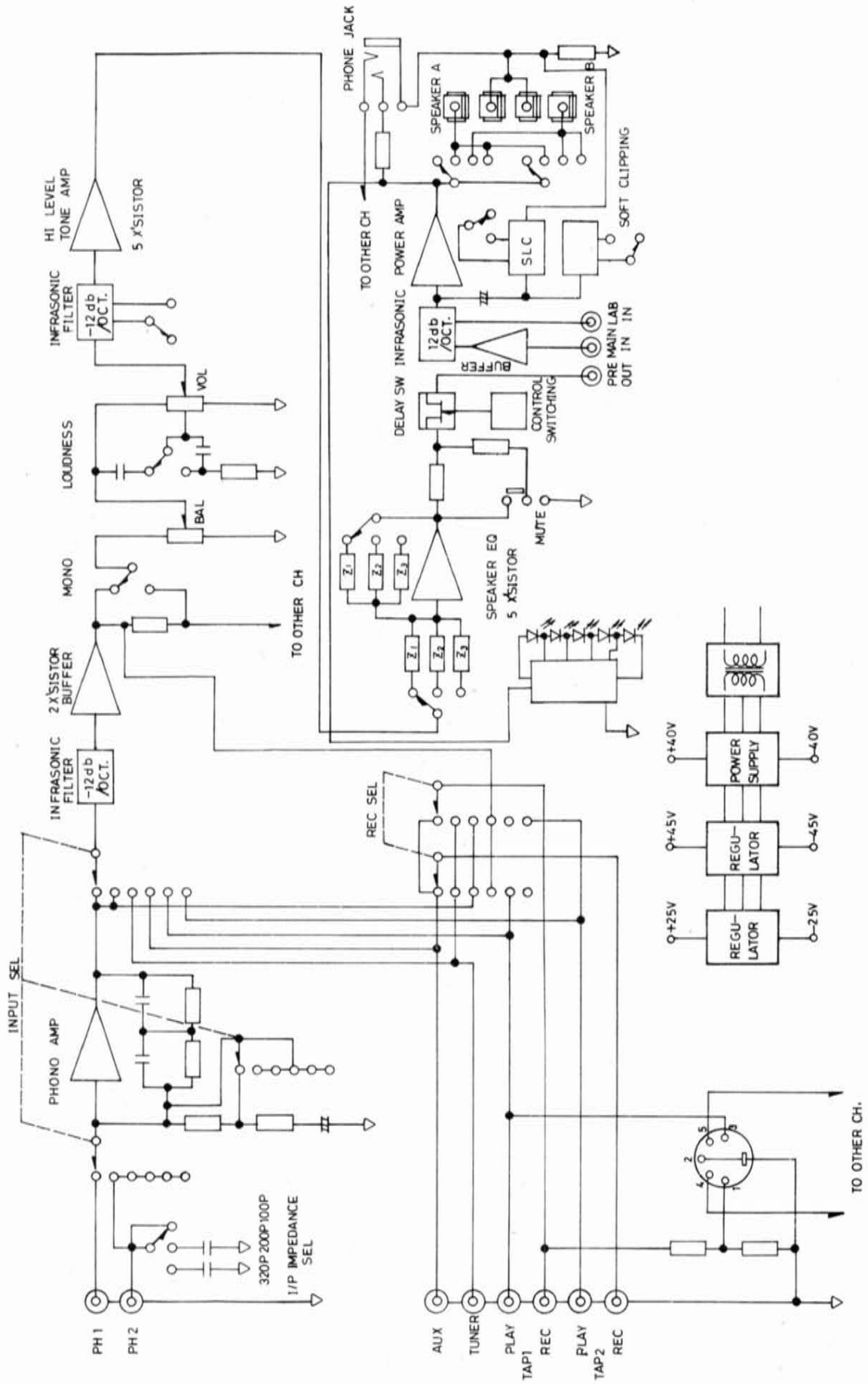


1. Phono AmP
2. Power I / P Buffer
3. Main Supply
4. SLC Circuit
5. Soft Clipping

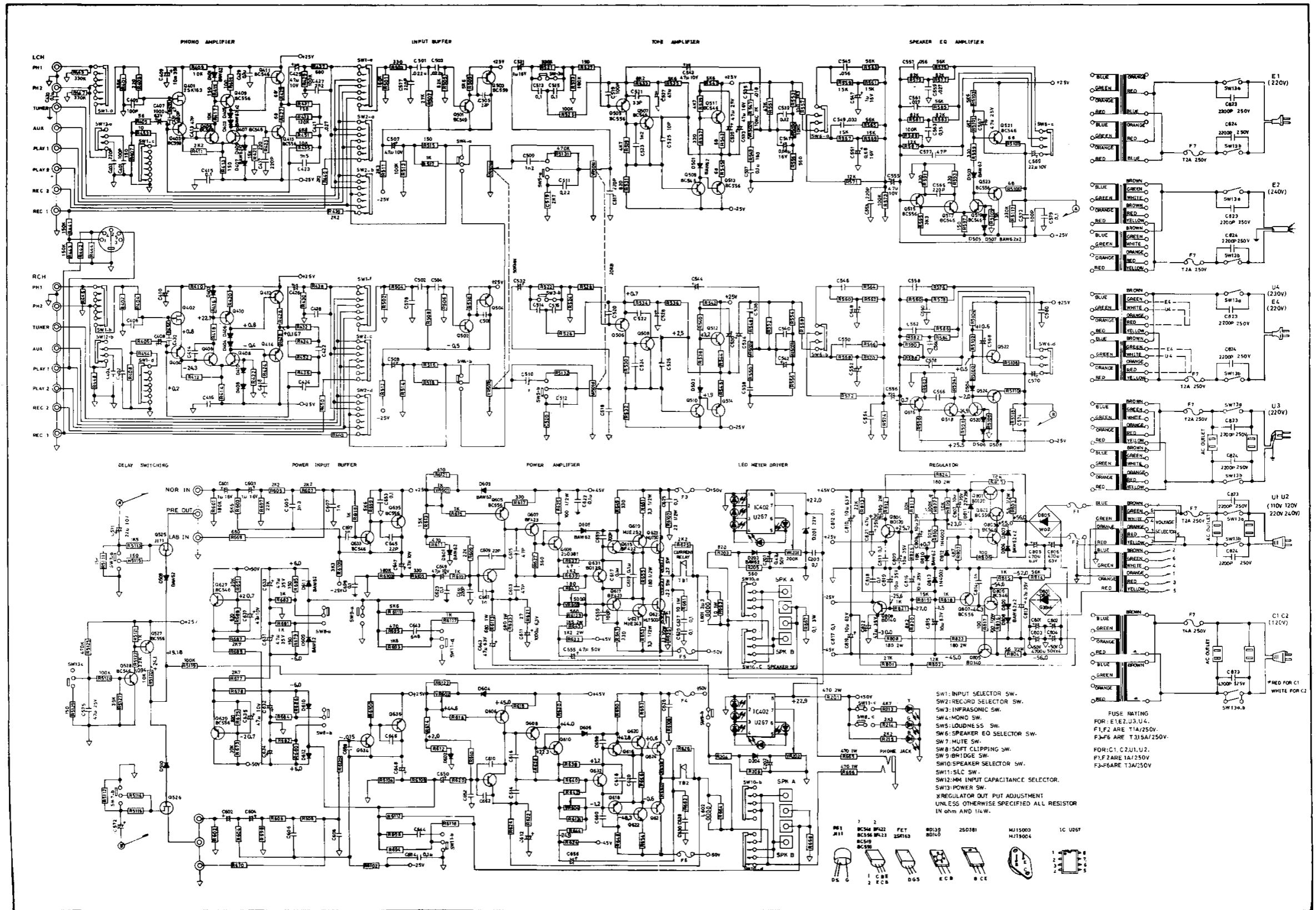
6. Heat Sink
7. Regulator
8. Loudness Circuit
9. Delay Circuit
10. Power Amplifier

11. Tone Amplifier
12. LED Drive circuit
13. Speaker EQ. circuit
14. Speaker SW.
15. Power Transformer

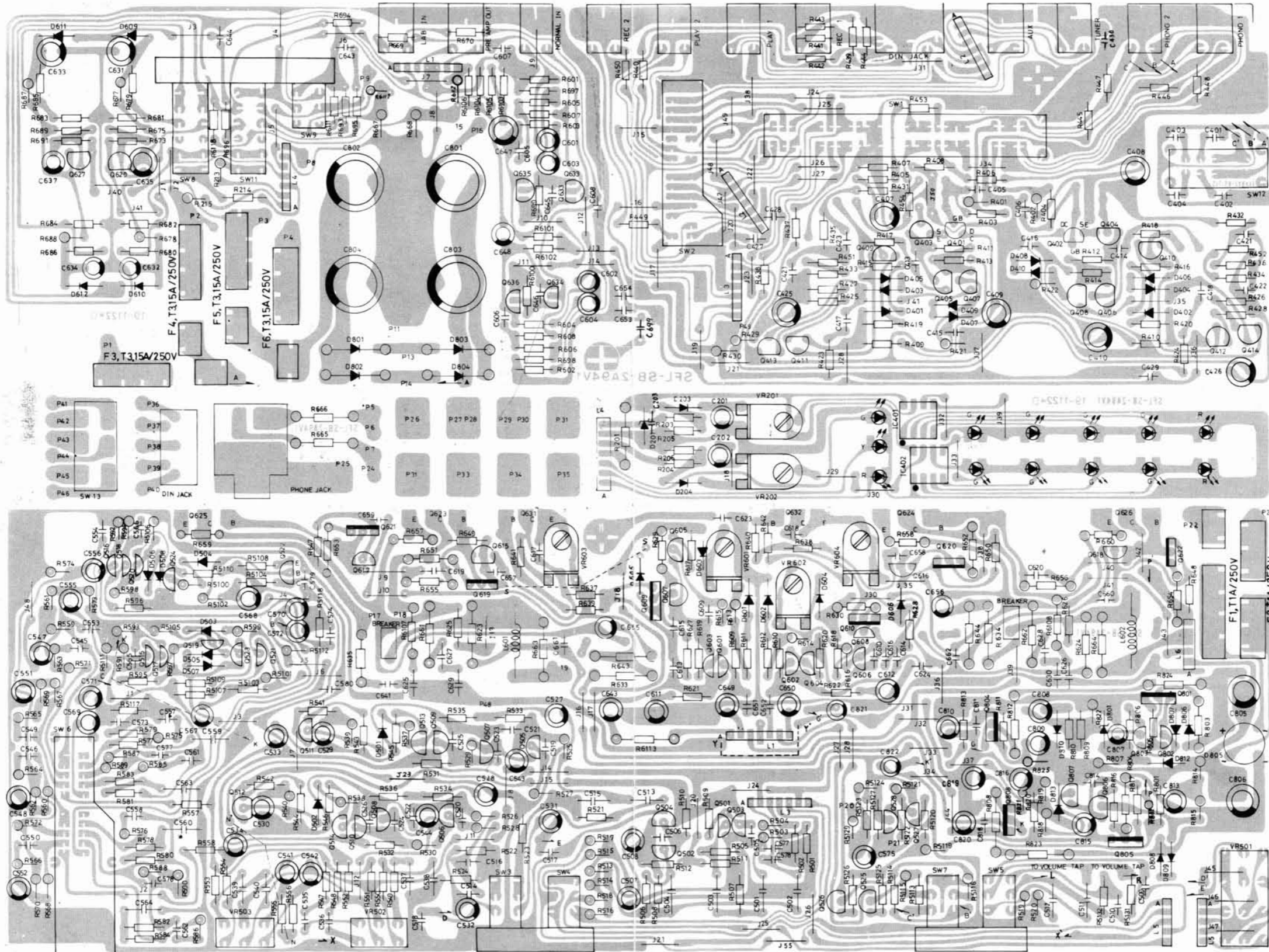
BLOCK DIAGRAM



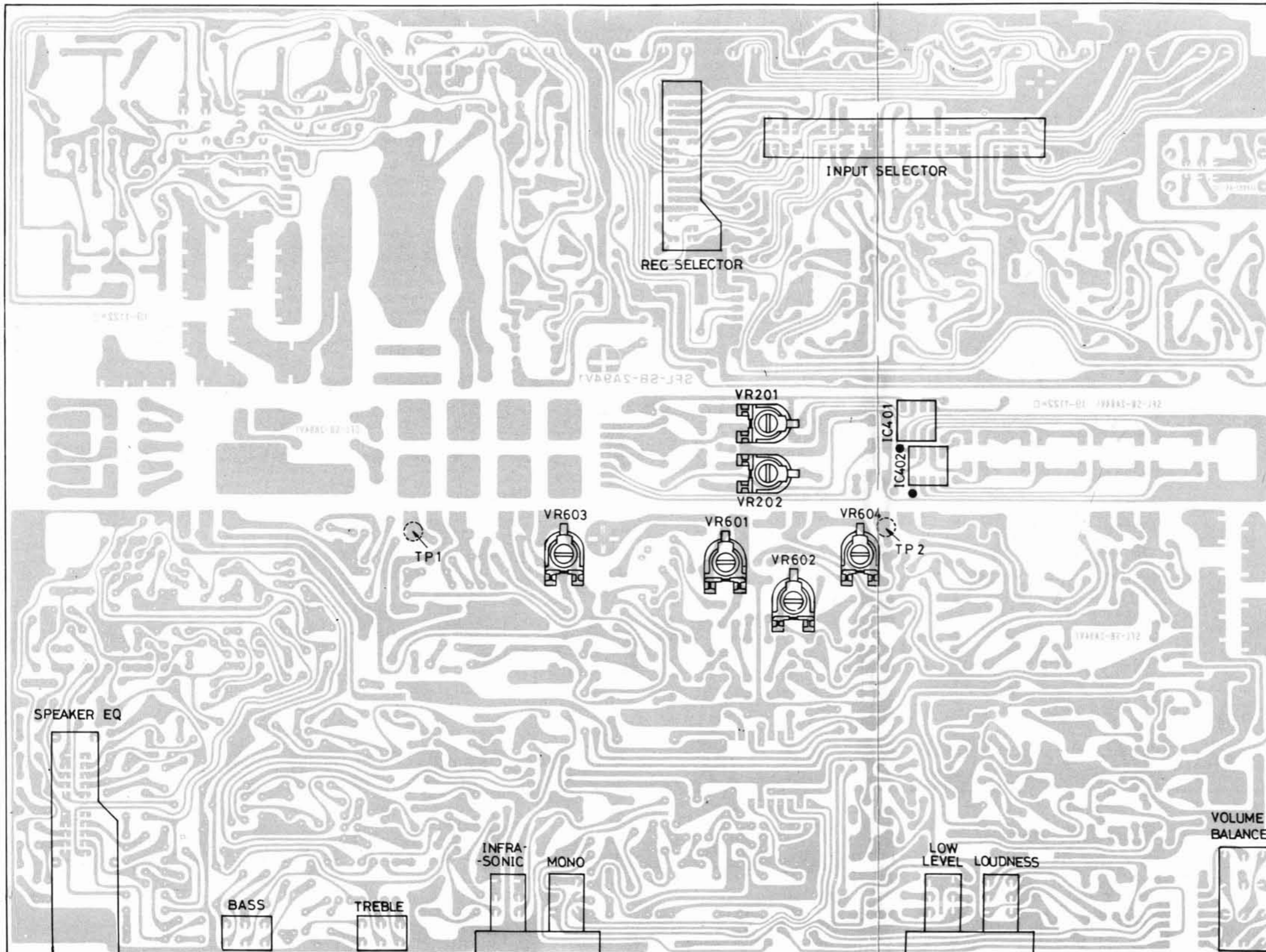
CIRCUIT DIAGRAM



PCB PARTS LOCATION



ALIGNMENT



DC OFF-SET ALIGNMENT

1. Set on the power for 5 minutes pre-heating.
2. Set volume control to minimum position and speaker selector switch to A+B position.
3. For L channel alignment: connect probe of DC milivoltmeter to L channel speaker terminals, then adjust VR-601 until zero voltage reading is reached.
4. For R channel alignment: connect probe of DC milivoltmeter to R channel speaker terminals, then adjust VR-602 until zero voltage reading is reached.

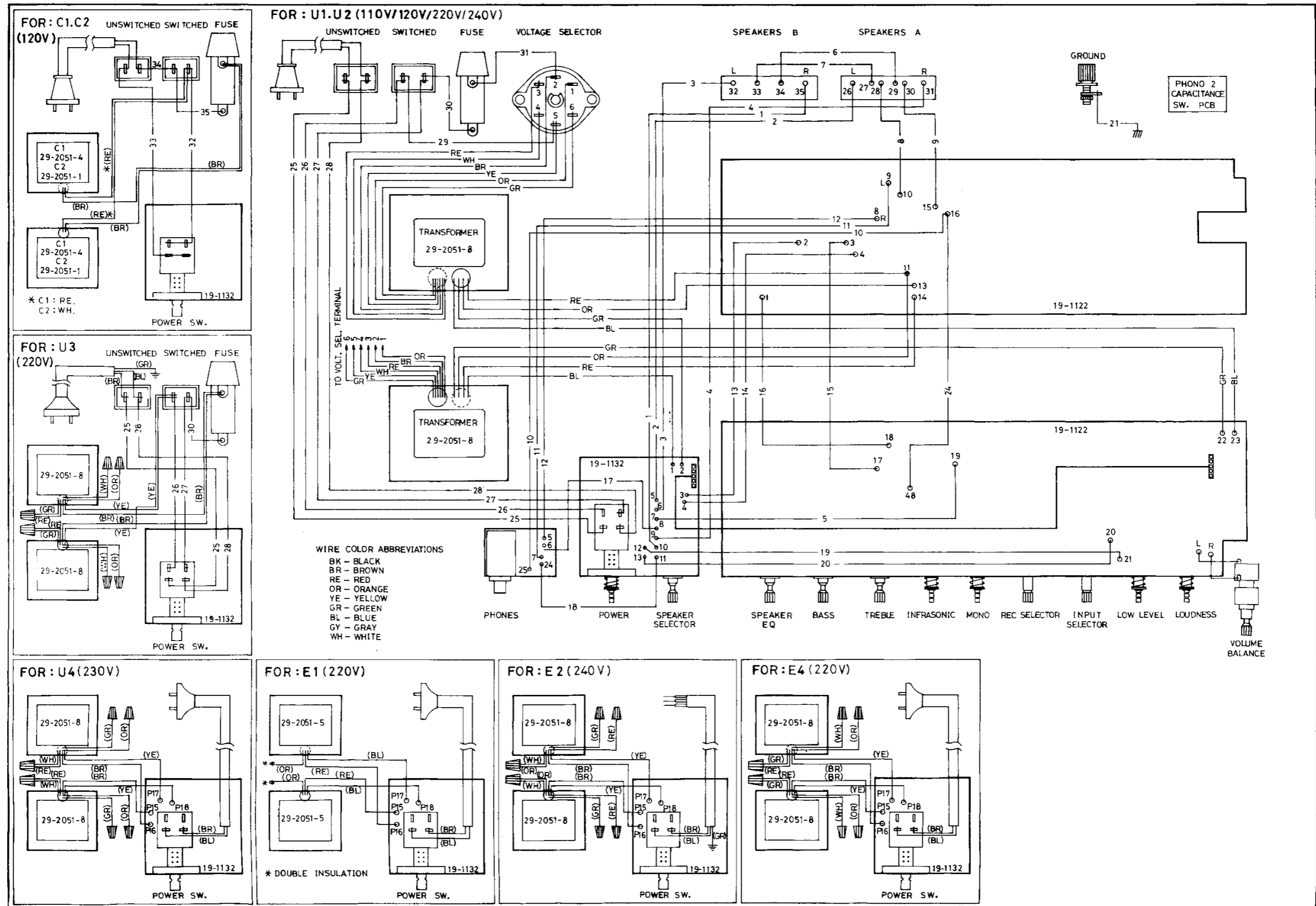
IDLE CURRENT ALIGNMENT

1. Turn VR603 and VR604 to fully clockwise position.
2. Set on the power for 5 minutes pre-heating.
3. Set volume control to minimum position and speaker selector switch to A+B position.
4. Remove the load on speaker terminals.
5. Connect one probe of DC milivoltmeter to L channel speaker terminal "+", the other to point TP1 on main PCB, adjust VR603 until 6 mV reading is reached.
6. Connect one probe of DC milivoltmeter to R channel speaker terminal "+", the other to point TP2 on main PCB adjust VR604 until 6 mV reading is reached.

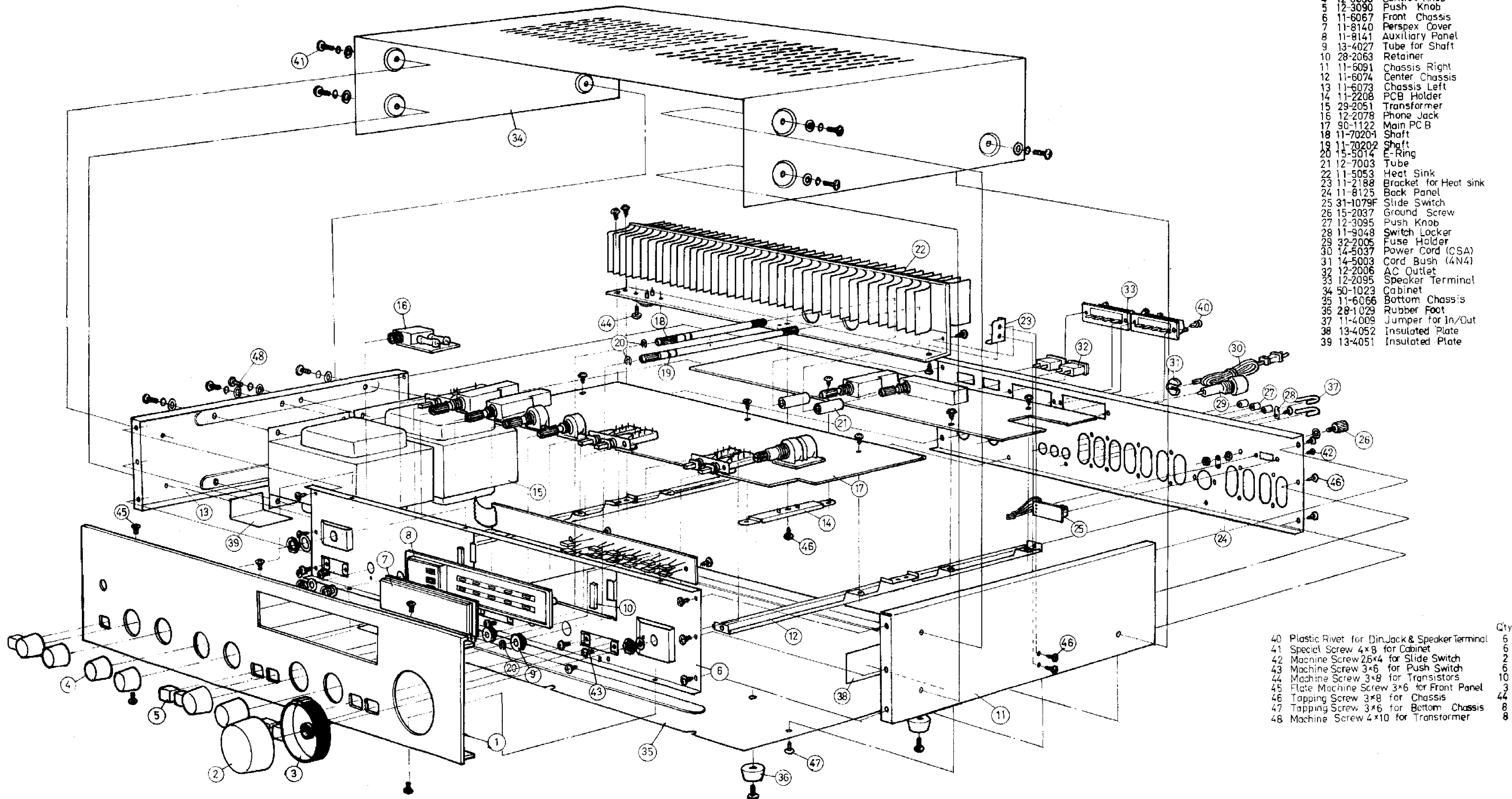
POWER INDICATOR ALIGNMENT

1. Set all controls at flat position and volume control to maximum.
2. Set function selector switch to AUX position and speaker selector switch to A+B position.
3. Connect probes of VTVM to speaker output terminals.
4. Feed from sine wave generator 1KHz signal to AUX input for both channels.
5. Vary generator output level until VTVM reading is 20V AC.
6. Adjust VR201, VR202 to the position just lighting the 50W LED for L channel and R channel respectively.

WIRING DIAGRAM



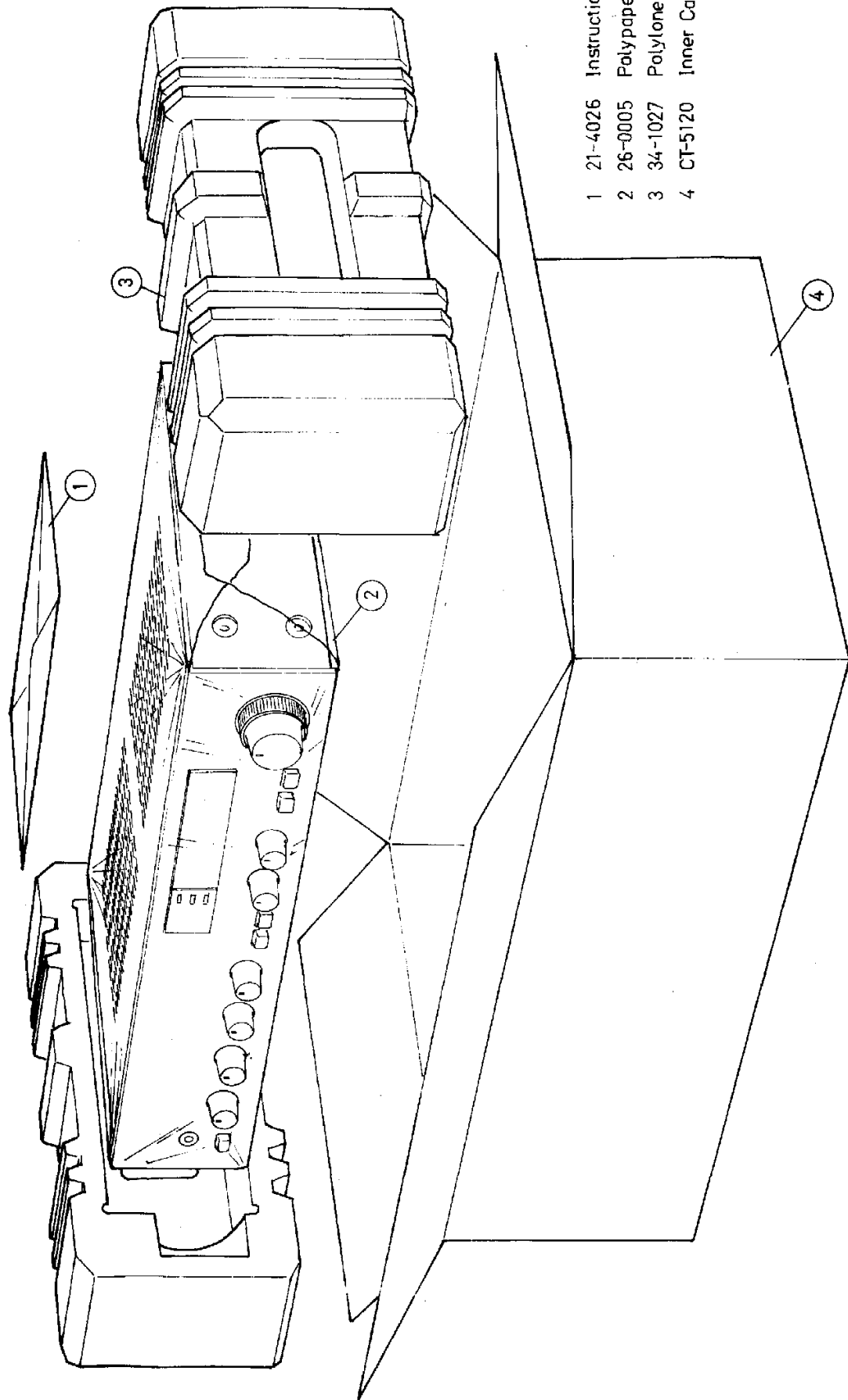
ASSEMBLY DIAGRAM



Item	PartsNo	Description
1	11-8121	Front Panel
2	12-3036	Volume Knob
3	12-3091	Balance Knob
4	12-3038	Control Knob
5	12-3090	Push Knob
6	11-6067	Front Chassis
7	11-8140	Perspex Cover
8	11-8141	Auxiliary Panel
9	13-4027	Tube for Shaft
10	28-2063	Retainer
11	11-6091	Chassis Right
12	11-6074	Center Chassis
13	11-6073	Chassis Left
14	11-2208	PCB Holder
15	29-2051	Transformer
16	12-2078	Phone Jack
17	90-1122	Main PCB
18	11-7020-1	Shaft
19	11-7020-2	Shaft
20	15-5014	E-Ring
21	12-7003	Tube
22	11-5053	Heat Sink
23	11-2188	Bracket for Heat Sink
24	11-8125	Back Panel
25	31-1079F	Slide Switch
26	15-2037	Ground Screw
27	12-3095	Push Knob
28	11-9048	Switch Locker
29	32-2005	Fuse Holder
30	14-5037	Power Cord (CSA)
31	14-5003	Cord Bush (4N4)
32	12-2006	AC Outlet
33	12-2095	Speaker Terminal
34	50-1023	Cabinet
35	11-6066	Bottom Chassis
36	28-1029	Rubber Foot
37	11-4009	Jumper for In/Out
38	13-4052	Insulated Plate
39	13-4051	Insulated Plate

Item	Description	Qty
40	Plastic Rivet for Din Jack & Speaker Terminal	6
41	Special Screw 4x8 for Cabinet	6
42	Machine Screw 2.6x4 for Slide Switch	2
43	Machine Screw 3x6 for Push Switch	6
44	Machine Screw 3x8 for Transistors	10
45	Flat Machine Screw 3x6 for Front Panel	3
46	Tapping Screw 3x8 for Chassis	44
47	Tapping Screw 3x6 for Bottom Chassis	8
48	Machine Screw 4x10 for Transformer	8

PACKING DIAGRAM



- 1 21-4026 Instruction Manual
- 2 26-0005 Polypaper
- 3 34-1027 Polytone
- 4 CT-5120 Inner Carton

PARTS LIST

SYMBOL NO	PARTS NO	DESCRIPTION	REF
R201	16-2 A 471J	Metal oxide res 470 ohm \pm 5% 2 W	10.00
R203, R204	16-1/4CA821J	Carbon res 820 ohm \pm 5% 1/4W	1.70
R205, R206	16-1/4CA561J	Carbon res 560 ohm \pm 5% 1/4W	1.70
R213	16-1/4CR472J	Carbon res 4K7 ohm \pm 5% 1/4W	1.70
R214	16-1/4CA332J	Carbon res 3K3 ohm \pm 5% 1/4W	1.70
R215	16 1/4CR272J	Carbon res 2K7 ohm \pm 5% 1/4W	1.70
R401, R402	16-1/4CR563J	Carbon res 56K ohm \pm 5% 1/4W	1.70
R403, R404	16-1/4CA221J	Carbon res 220 ohm \pm 5% 1/4W	1.70
R405, R406	16-1/4CA560J	Carbon res 56 ohm \pm 5% 1/4W	1.70
R407, R408	16-1/4CA151J	Carbon res 150 ohm \pm 5% 1/4W	1.70
R409, R410	16-1/4CA103J	Carbon res 10K ohm \pm 5% 1/4W	1.70
R411, R412	16-1/4CA222J	Carbon res 2K2 ohm \pm 5% 1/4W	1.70
R413-R416	16-1/4CA151J	Carbon res 150 ohm \pm 5% 1/4W	1.70
R417, R418	16-1/4CA103J	Carbon res 10K ohm \pm 5% 1/4W	1.70
R419, R420	16-1/4CA101J	Carbon res 100 ohm \pm 5% 1/4W	1.70
R421, R422	16-1/4CRI53J	Carbon res 15K ohm \pm 5% 1/4W	1.70
R423, R424	16-1/4CA221J	Carbon res 220 ohm \pm 5% 1/4W	1.70
R425-R428	16-1/4CA680J	Carbon res 68 ohm \pm 5% 1/4W	1.70
R429, R430	16-1/4CR104J	Carbon res 100K ohm \pm 5% 1/4W	1.70
R431, R432	16-1/4CA151J	Carbon res 150 ohm \pm 5% 1/4W	1.70
R433, R434	16-1/4CA124J	Carbon res 120K ohm \pm 5% 1/4W	1.70
R435, R436	16-1/4CA103J	Carbon res 10K ohm \pm 5% 1/4W	1.70
R437, R438	16-1/4CA681J	Carbon res 680 ohm \pm 5% 1/4W	1.70
R439, R440	16-1/4CA222J	Carbon res 2K2 ohm \pm 5% 1/4W	1.70
R441-R444	16-1/4CA154J	Carbon res 150K ohm \pm 5% 1/4W	1.70
R445-R448	16-1/4CA334J	Carbon res 330K ohm \pm 5% 1/4W	1.70
R449, R450	16 1/4CA222J	Carbon res 2K2 ohm \pm 5% 1/4W	1.70
R451, R452	16-1/4CA682J	Carbon res 6K8 ohm \pm 5% 1/4W	1.70
R453, R454	16-1/4CA100J	Carbon res 10 ohm \pm 5% 1/4W	1.70
R501, R502	16-1/4CA184J	Carbon res 180K ohm \pm 5% 1/4W	1.70
R503, R504	16-1/4CR331J	Carbon res 330 ohm \pm 5% 1/4W	1.70
R505, R506	16-1/4CA823J	Carbon res 82K ohm \pm 5% 1/4W	1.70
R507, R508	16-1/4CA273J	Carbon res 27K ohm \pm 5% 1/4W	1.70
R509, R510	16-1/4CA562J	Carbon res 5K6 ohm \pm 5% 1/4W	1.70
R511, R512	16-1/4CA332J	Carbon res 3K3 ohm \pm 5% 1/4W	1.70
R513, R514	16-1/4CR104J	Carbon res 100K ohm \pm 5% 1/4W	1.70
R515, R516	16-1/4CR151J	Carbon res 150 ohm \pm 5% 1/4W	1.70
R517, R518	16-1/4CR102J	Carbon res 1K ohm \pm 5% 1/4W	1.70
R519, R520	16 1/4CR272J	Carbon res 2K7 ohm \pm 5% 1/4W	1.70
R521, R522	16-1/4CA334J	Carbon res 330K ohm \pm 5% 1/4W	1.70
R523, R524	16-1/4CA184J	Carbon res 180K ohm \pm 5% 1/4W	1.70
R525, R526	16-1/4CR104J	Carbon res 100K ohm \pm 5% 1/4W	1.70
R527, R528	16-1/4CR151J	Carbon res 150 ohm \pm 5% 1/4W	1.70
R529, R530	16-1/4CR472J	Carbon res 4K7 ohm \pm 5% 1/4W	1.70
R531, R532	16-1/4CA821J	Carbon res 820 ohm \pm 5% 1/4W	1.70
R533, R534	16-1/4CA822J	Carbon res 8K2 ohm \pm 5% 1/4W	1.70
R535, R536	16-1/4CA562J	Carbon res 5K6 ohm \pm 5% 1/4W	1.70
R537, R538	16-1/4CR331J	Carbon res 330 ohm \pm 5% 1/4W	1.70
R539, R540	16-1/4CR472J	Carbon res 4K7 ohm \pm 5% 1/4W	1.70
R541, R542	16-1/4CA562J	Carbon res 5K6 ohm \pm 5% 1/4W	1.70

PARTS LIST

SYMBOL NO	PARTS NO	DESCRIPTION	REF
R543 - R546	16 - 1/4 CA680J	Carbon res. 68 ohm ±5% 1/4W	1.70
R547 , R548	16 - 1/4 CA102J	Carbon res. 1K ohm ±5% 1/4W	1.70
R549 , R550	16 - 1/4 CA181J	Carbon res. 180 ohm ±5% 1/4W	1.70
R551 , R552	16 - 1/4 CA473J	Carbon res. 47K ohm ±5% 1/4W	1.70
R553 R554	16 - 1/4 CA332J	Carbon res. 3K3 ohm ±5% 1/4W	1.70
R555 , R556	16 - 1/4 CA561J	Carbon res. 560 ohm ±5% 1/4W	1.70
R557 , R558	16 - 1/4 CA101J	Carbon res. 100 ohm ±5% 1/4W	1.70
R559 - R562	16 - 1/4 CR153J	Carbon res. 15K ohm ±5% 1/4W	1.70
R563 - R566	16 - 1/4 CR563J	Carbon res. 56K ohm ±5% 1/4W	1.70
R567 - R570	16 - 1/4 CR153J	Carbon res. 15K ohm ±5% 1/4W	1.70
R571 , R572	16 - 1/4 CR123J	Carbon res. 12K ohm ±5% 1/4W	1.70
R573 , R574	16 - 1/4 CR104J	Carbon res. 100K ohm ±5% 1/4W	1.70
R575 , R576	16 - 1/4 CR563J	Carbon res. 56K ohm ±5% 1/4W	1.70
R577 - R584	16 - 1/4 CA823J	Carbon res. 82K ohm ±5% 1/4W	1.70
R585 , R586	16 - 1/4 CR563J	Carbon res. 56K ohm ±5% 1/4W	1.70
R587 , R588	16 - 1/4 CR123J	Carbon res. 12K ohm ±5% 1/4W	1.70
R589 , R590	16 - 1/4 CR104J	Carbon res. 100K ohm ±5% 1/4W	1.70
R591 - R594	16 - 1/4 CR331J	Carbon res. 330 ohm ±5% 1/4W	1.70
R595 , R596	16 - 1/4 CA332J	Carbon res. 3K3 ohm ±5% 1/4W	1.70
R597 , R598	16 - 1/4 CR151J	Carbon res. 150 ohm ±5% 1/4W	1.70
R599 , R5100	16 - 1/4 CR331J	Carbon res. 330 ohm ±5% 1/4W	1.70
R5101, R5102	16 - 1/4 CR472J	Carbon res. 4K7 ohm ±5% 1/4W	1.70
R5103, R5104	16 - 1/4 CA562J	Carbon res. 5K6 ohm ±5% 1/4W	1.70
R5105, R5106	16 - 1/4 CR153J	Carbon res. 15K ohm ±5% 1/4W	1.70
R5107 - R5110	16 - 1/4 CA680J	Carbon res. 68 ohm ±5% 1/4W	1.70
R5111, R5112	16 - 1/4 CR153J	Carbon res. 15K ohm ±5% 1/4W	1.70
R5113, R5114	16 - 1/4 CA152J	Carbon res. 1K5 ohm ±5% 1/4W	1.70
R5115, R5116	16 - 1/4 CR151J	Carbon res. 150 ohm ±5% 1/4	1.70
R5117, R5118	16 - 1/4 CA334J	Carbon res. 330K oh ±5% 1/4W	1.70
R5119	16 - 1/4 CR104J	Carbon res. 100K ohm ±5% 1/4W	1.70
R5120	16 - 1/4 CA103J	Carbon res. 10K ohm ±5% 1/4W	1.70
R5121	16 - 1/4 CR102J	Carbon res. 1K ohm ±5% 1/4W	1.70
R5122	16 - 1/4 CA223J	Carbon res. 22K ohm ±5% 1/4W	1.70
R5123	16 - 1/4 CA474J	Carbon res. 470K ohm ±5% 1/4W	1.70
R5124	16 - 1/4 CR104J	Carbon res. 100K ohm ±5% 1/4W	1.70
R5125, R5126	16 - 1/4 CA106J	Carbon res. 10M ohm ±5% 1/4W	1.70
R5127	16 - 1/4 CA393J	Carbon res. 39K ohm ±5% 1/4W	1.70
R5129	16 - 1/4 CR151J	Carbon res. 150 ohm ±5% 1/4W	1.70
R5131, R5132	16 - 1/4 CA474J	Carbon res. 470K ohm ±5% 1/4W	1.70
R601 , R602	16 - 1/4 CA184J	Carbon res. 180K ohm ±5% 1/4W	1.70
R603 , R604	16 - 1/4 CA562J	Carbon res. 5K6 ohm ±5% 1/4W	1.70
R605 - R608	16 - 1/4 CA222J	Carbon res. 2K2 ohm ±5% 1/4W	1.70
R609 , R610	16 - 1/4 CA223J	Carbon res. 22K ohm ±5% 1/4W	1.70
R611 , R612	16 - 1/4 CA471J	Carbon res. 470 ohm ±5% 1/4W	1.70
R613 , R614	16 - 1/4 CR153J	Carbon res. 15K ohm ±5% 1/4W	1.70
R615 , R616	16 - 1/4 CR102J	Carbon res. 1K ohm ±5% 1/4W	1.70
R617 , R618	16 - 1/4 CA331J	Carbon res. 330 ohm ±5% 1/4W	1.70
R619 , R620	16 - 1/4 CA332J	Carbon res. 3K3 ohm ±5% 1/4W	1.70
R621 , R622	16 - 1/4 CA270J	Carbon res. 27 ohm ±5% 1/4W	1.70
R623 , R624	16 - 1/4 2A681J	Metal Oxide res. 680 ohm ±5% 2W	10.00

PARTS LIST

SYMBOL NO	PARTS LIST	DESCRIPTION	REF
R625 , R626	16-1/4 CA222 J	Carbon res. 2K2 ohm ±5% 1/4W	1.70
R627 , R628	16-1/4 CA561 J	Carbon res. 560 ohm ±5% 1/4W	1.70
R629 , R630	16-1/2 A101 J	Metal Oxide res. 100 ohm ±5% 1/2W	7.00
R633 , R634	16-2 A122 J	Metal Oxide res. 1K2 ohm ±5% 2 W	10.00
R635	16-1/2 A3R3 J	Metal Oxide res. 3.3 ohm ±5% 1/2W	7.00
R637 , R638	16-1/4 CA470 J	Carbon res. 47 ohm ±5% 1/4W	1.70
R639 , R640	16-1/4 CA122 J	Carbon res. 1K2 ohm ±5% 1/4W	1.70
R641 , R642	16-1/4 CA181 J	Carbon res. 180 ohm ±5% 1/4W	1.70
R643 , R644	16-2 A152 J	Metal Oxide res. 1K5 ohm ±5% 2 W	10.00
R647 -R650	16-1/2 A331 J	Metal Oxide res. 330 ohm ±5% 1/2W	7.00
R651 -R654	16-1/2 A3R3 J	Metal Oxide res. 3.3 ohm ±5% 1/2W	7.00
R655 , R656	16-1/2 CP181 J	Carbon res. 180 ohm ±5% 1/2W	2.40
R657 -R660	16- 1003	MPC res. 0.22 ohm ±5% 5 W	30.80
R661 -R664	16- 1A100 J	Metal Oxide res. 10 ohm ±5% 1 W	8.00
R665 , R666	16- 1A471 J	Metal Oxide res. 470 ohm ±5% 1 W	8.00
R667 , R668	16- 1017	MPC70 res. 0.1 ohm ±5% 3 W	19.00
R669 , R670	16-1/4 CA681 J	Carbon res. 680 ohm ±5% 1/4W	1.70
R673	16-1/4 CA393 J	Carbon res. 39K ohm ±5% 1/4W	1.70
R675	16-1/4 CA821 J	Carbon res. 820 ohm ±5% 1/4W	1.70
R677 , R678	16-1/4 CR272 J	Carbon res. 2K7 ohm ±5% 1/4W	1.70
R679 , R680	16-1/4 CA151 J	Carbon res. 150 ohm ±5% 1/4W	1.70
R681 -R684	16-1/4 CA102 J	Carbon res. 1K ohm ±5% 1/4W	1.70
R6 5 , R686	16-1/4 CA151 J	Carbon res. 150 ohm ±5% 1/4W	1.70
R687 , R688	16-1/4 CR272 J	Carbon res. 2K7 ohm ±5% 1/4W	1.70
R689	16-1/4 CA821 J	Carbon res. 820 ohm ±5% 1/4W	1.70
R691 ,	16-1/4 CA393 J	Carbon res. 39K ohm ±5% 1/4W	1.70
R693 , R694	16-1/4 CA182 J	Carbon res. 1K8 ohm ±5% 1/4W	1.70
R695 , R696	16-1/4 CA391 J	Carbon res. 390 ohm ±5% 1/4W	1.70
R697 , R698	16-1/4 CA223 J	Carbon res. 22K ohm ±5% 1/4W	1.70
R699 , R6100	16-1/4 CA562 J	Carbon res. 5K6 ohm ±5% 1/4W	1.70
R6101, R6102	16-1/4 CA332 J	Carbon res. 3K3 ohm ±5% 1/4W	1.70
R6103, R6104	16-1/4 CA184 J	Carbon res. 180K ohm ±5% 1/4W	1.70
R6105, R6106	16-1/4 CA331 J	Carbon res. 330 ohm ±5% 1/4W	1.70
R6107 R6108	16-1/2 CP220 J	Carbon res. 22 ohm ±5% 1/2W	2.40
R6111,	16-1/4 CA562 J	Carbon res. 5K6 ohm ±5% 1/4W	1.70
R6112	16-1/4 CR562 J	Carbon res. 5K6 ohm ±5% 1/4W	1.70
R6113	16-2 A681 J	Metal Oxide res. 680 ohm ±5% 2 W	10.00
R6117, R6118	16-1/4 CA102 J	Carbon res. 1K ohm ±5% 1/4W	1.70
R801	16-1/4 CA273 J	Carbon res. 27K ohm ±5% 1/4W	1.70
R802	16-1/4 CR123 J	Carbon res. 12K ohm ±5% 1/4W	1.70
R803 , R804	16-1/2 A5R6 J	Metal Oxide res. 5.6 ohm ±5% 1/2W	7.00
R805	16-1/4 CA103 J	Carbon res. 10K ohm ±5% 1/4W	1.70
R806	16-1/4 CA101 J	Carbon res. 100 ohm ±5% 1/4W	1.70
R807	16-1/4 CR472 J	Carbon res. 4K7 ohm ±5% 1/4W	1.70
R808	16-2 A181 J	Metal Oxide res. 180 ohm ±5% 2 W	10.00
R809 -R811	16-1/4 CA103 J	Carbon res. 10K ohm ±5% 1/4W	1.70
R812	16-2 A181 J	Metal Oxide res. 180 ohm ±5% 2 W	10.00
R813	16-1/4 CA273 J	Carbon res. 27K ohm ±5% 1/4W	1.70
R814	16-1/4 CR563 J	Carbon res. 56K ohm ±5% 1/4W	1.70
R815	16-1/4 CR102 J	Carbon res. 1K ohm ±5% 1/4W	1.70

PARTS LIST

SYMBOL NO	PARTS NO	DESCRIPTION	REF
R816	16-1/2 A101 J	Metal Oxide res 100 ohm ±5% 1/2W	7.00
R817	16-1/4 CA101 J	Carbon res. 100 ohm ±5% 1/4W	1.70
R818	16-1/4 CR102 J	Carbon res. 1K ohm ±5% 1/4W	1.70
R819	16-1/4 CR153J	Carbon res. 15K ohm ±5% 1/4W	1.70
R820	16-1/4 CA822J	Carbon res. 8K2 ohm ±5% 1/4W	1.70
R821	16-1/4 CR102J	Carbon res 1K ohm ±5% 1/4W	1.70
R822	16-1/4 CR104J	Carbon res. 100K ohm ±5% 1/4W	1.70
R823, R824	16-2A181J	Metal Oxide res 180 ohm ±5% 2 W	10.00
R825	16-1/4 CR183J	Carbon res. 18K ohm ±5% 1/4W	1.70
C201, C202	17-5ER474Y	Elec. Capa. 0.47 μF ±50-10% 50V	8.40
C203	17-5DR104M	CER. Capa. 0.1 μF ±20% 50V	13.00
C401, C402	17-5DR101M	CER. Capa. 100PF ±20% 50V	3.80
C403, C404	17-5DR221M	CER. Capa. 220PF ±20% 50V	4.40
C405, C406	17-5DR101M	CER. Capa. 100PF ±20% 50V	3.80
C407, C408	17-0.63E108Y	Elec. Capa. 1000 μF ±50-10% 6.3V	33.80
C409-C412	17-3.5ER106Y	Elec. Capa. 10 μF ±50-10% 35V	9.20
C413, C414	17-5DR220M	CER. Capa. 22PF ±20% 50V	3.50
C415, C416	17-5DR104M	CER. Capa. 0.1 μF ±20% 50V	13.00
C417, C418	17-5DR221M	CER. Capa. 220PF ±20% 50V	4.40
C421, C422	17-5FR273J	Mylar Capa. 0.027 μF ±5% 50V	8.40
C423, C424	17-5FR752J	Mylar Capa. 7500PF ±5% 50V	6.70
C425, C426	17-1ER476Y	Elec. Capa. 47 μF ±50-10% 10V	9.20
C427, C428	17-5FR222J	Mylar Capa. 2200PF ±5% 50V	6.30
C429	17-5DR104M	CER. Capa. 0.1 μF ±20% 50V	13.00
C501-C504	17-5F224J	Mylar Capa. 0.22 μF ±5% 50V	22.60
C505, C506	17-5DR220M	CER. Capa. 22PF ±20% 50V	3.50
C507, C508	17-1ER476Y	Elec. Capa. 47 μF ±50-10% 10V	9.20
C509, C510	17-5FR122J	Mylar Capa. 1200PF ±5% 50V	6.30
C511, C512	17-5F224J	Mylar Capa. 0.22 μF ±5% 50V	22.60
C513-C516	17-5F104J	Mylar Capa. 0.1 μF ±5% 50V	14.10
C517, C518	17-5DR221M	CER. Capa. 220PF ±20% 50V	4.40
C519, C520	17-5DR101M	CER. Capa. 100PF ±20% 50V	3.80
C521, C522	17-5DR330M	CER. Capa. 33PF ±20% 50V	3.80
C523, C524	17-5FR122J	Mylar Capa. 1200PF ±5% 50V	6.30
C525, C526	17-5DR100M	CER. Capa. 10PF ±20% 50V	3.50
C527, C528	17-1ER476Y	Elec. Capa. 47 μF ±50-10% 10V	9.20
C529, C530	17-2.5ER476Y	Elec. Capa. 47 μF ±50-10% 25V	14.60
C531, C522	17-1.6R105K	Dryal Capa. 1 μF ±10% 16V	24.00
C533, C534	17-1ER476Y	Elec. Capa. 47 μF ±50-10% 10V	9.20
C535, C536	17-5FR183J	Mylar Capa. 0.018 μF ±5% 50V	7.70
C537, C538	17-5F104J	Mylar Capa. 0.1 μF ±5% 50V	14.10
C539, C540	17-5F124J	Mylar Capa. 0.12 μF ±5% 50V	14.70
C541, C542	17-1.6R684K	Dryal Capa. 0.68 μF ±10% 16V	24.00
C543, C544	17-1ER476Y	Elec. Capa. 47 μF ±50-10% 10V	9.20
C545, C546	17-5F563J	Mylar Capa. 0.056 μF ±5% 50V	10.70
C547, C548	17-1.6R105K	Dryal Capa. 1 μF ±10% 16V	24.00
C549, C550	17-5FR333J	Mylar Capa. 0.033 μF ±5% 50V	9.00
C551, C552	17-1.6R684K	Dryal Capa. 0.68 μF ±10% 16V	24.00
C553, C554	17-5DR221M	CER. Capa. 220PF ±20% 50V	4.40
C555, C556	17-1ER476Y	Elec. Capa. 47 μF ±50-10% 10V	9.20

PARTS LIST

SYMBOL NO	PARTS NO	DESCRIPTION				REF
C557, C558	17-5F563J	Mylar	Capa.	0.056 μ F \pm 5%	50 V	10.70
C559, C560	17-5F274J	Mylar	Capa.	0.27 μ F \pm 5%	50 V	25.60
C561, C562	17-5FR273J	Mylar	Capa.	0.027 μ F \pm 5%	50 V	8.40
C563, C564	17-5F154J	Mylar	Capa.	0.15 μ F \pm 5%	50V	17.50
C565, C566	17-5DR221M	CER.	Capa.	220PF \pm 20%	50V	4.40
C567, C568	17-2.5ER476Y	Elec.	Capa.	47 μ F \pm 50-10%	25V	14.60
C569-C572	17-1ER226Y	Elec.	Capa.	22 μ F \pm 50-10%	10V	8.40
C573, C574	17-5DR101M	CER.	Capa.	100PF \pm 20%	50V	3.80
C575	17-2.5ER476Y	Elec.	Capa.	47 μ F \pm 50-10%	25V	14.60
C577, C578	17-5DR470M	CER.	Capa.	47PF \pm 20%	50V	3.80
C579, C580	17-5DR104M	CER.	Capa.	0.1 μ F \pm 20%	50V	13.00
C581, C582	17-5DR221M	CER.	Capa.	220PF \pm 20%	50V	4.40
C601-C604	17-1.6R105K	Dryal	Capa.	1 μ F \pm 10%	16V	24.00
C605, C606	17-5FR332J	Mylar	Capa.	3300PF \pm 5%	50V	6.30
C607, C608	17-5FR102J	Mylar	Capa.	1000PF \pm 5%	50V	6.30
C609, C610	17-5DR221M	CER.	Capa.	220PF \pm 20%	50V	4.40
C611, C612	17-0.63E108Y	Elec.	Capa.	1000 μ F \pm 50-10%	6.3V	33.80
C613-C616	17-5DR470M	CER.	Capa.	47PF \pm 20%	50V	3.80
C617-C620	17-5DR104M	CER.	Capa.	0.1 μ F \pm 20%	50V	13.00
C623	17-5DR104M	CER.	Capa.	0.1 μ F \pm 20%	50V	13.00
C625-C630	17-5DR104M	CER.	Capa.	0.1 μ F \pm 20%	50V	13.00
C631-C634	17-3.5ER476Y	Elec.	Capa.	47 μ F \pm 50-10%	35V	14.60
C635	17-1ER476Y	Elec.	Capa.	47 μ F \pm 50-10%	10V	9.20
C637	17-1ER476Y	Elec.	Capa.	47 μ F \pm 50-10%	10V	9.20
C643, C644	17-5FR332J	Mylar	Capa.	3300PF \pm 5%	50V	6.30
C645, C646	17-5DR220M	CER.	Capa.	22PF \pm 20%	50V	3.50
C647-C650	17-1ER476Y	Elec.	Capa.	47 μ F \pm 50-10%	10V	9.20
C651, C652	17-5DR221M	CER.	Capa.	220PF \pm 20%	50V	4.40
C653, C654	17-5DR104M	CER.	Capa.	0.1 μ F \pm 20%	50V	13.00
C655, C656	17-5ER476Y	Elec.	Capa.	47 μ F \pm 50-10%	50V	18.80
C657-C662	17-5DR101M	CER.	Capa.	100PF \pm 20%	50V	3.80
C699	17-5D104M	CER.	Capa.	0.1 μ F \pm 20%	50V	13.00
C801-C804	17-5P478Y	Elec.	Capa.	4700 μ F \pm 50-10%	50V	385.00
C805, C806	17-6.3E477Y	Elec.	Capa.	470 μ F \pm 50-10%	63V	85.00
C807-C809	17-3.5ER106Y	Elec.	Capa.	10 μ F \pm 50-10%	35V	9.20
C810	17-6.3ER106Y	Elec.	Capa.	10 μ F \pm 50-10%	63V	10.70
C811, C812	17-5DR104M	CER.	Capa.	0.1 μ F \pm 20%	50V	13.00
C813	17-3.5ER476Y	Elec.	Capa.	47 μ F \pm 50-10%	35V	14.60
C814	17-5FR102J	Mylar	Capa.	1000PF \pm 5%	50V	6.30
C815	17-6.3ER106Y	Elec.	Capa.	10 μ F \pm 50-10%	63V	10.70
C816	17-3.5ER106Y	Elec.	Capa.	10 μ F \pm 50-10%	35V	9.20
C819	17-3.5ER106Y	Elec.	Capa.	10 μ F \pm 50-10%	35V	9.20
C820	17-6.3ER106Y	Elec.	Capa.	10 μ F \pm 50-10%	63V	10.70
C821, C822	17-3.5ER476Y	Elec.	Capa.	47 μ F \pm 50-10%	35V	14.60
C823, C824	17-2008	Capa. AC	2200PF	ECK-DDS222ME		102.00
L601,, L602	29-1036-1	Air Coil		3.3 μ H		48.00
VR201, VR202	29-4056	Semifixed res.		200KB		17.50
VR501	29-4103A	Volume & Balance		20KB & 50KW		516.00
VR502, VR503	29-4075F	VR		10KC \times 2		130.00
VR601, VR602	29-4064	Semifixed res.		1KB		17.50

PARTS LIST

SYMBOL NO	PARTS NO	DESCRIPTION	REF
VR603, VR604	29-4055	Semifixed res. 500B	17.50
D201	30-1041	Zener Diode W2-22D	14.80
D203, D204	30-1019	Diode BAW62	8.00
D401-D410	30-1019	Diode BAW62	8.00
D501-D508	30-1019	Diode BAW62	8.00
D601-D606	30-1019	Diode BAW62	8.00
D609-D612	30-1019	Diode BAW62	8.00
D801-D804	30-1017-1	Diode G13B	28.00
D805	30-1040	Bridge Diode WL--02M	88.00
D806-D810	30-1019	Diode BAW62	8.00
D811	30-1041	Zener Diode W2-22D	14.80
D812, D813	30-1002	Diode 1A 100V IN4002/10DI	12.40
LD201-LD208	30-1085	LED Green 2x5MMS LT3231G	35.60
LD209-LD211	30-1075	LED Red 2x5MMS LT3211R	27.80
LD212	30-1085	LED Green 2x5MMS LT3231G	35.60
LD213	30-1076	LED Yellow 2x5MMS LT3251	35.60
Q401, Q402	30-2264	FET 2SK163	64.00
Q403, Q404	30-2085-2	TRANSISTOR BC559B	26.00
Q405, Q406	30-2084-3	TRANSISTOR BC549C	26.00
Q407, Q408	30-2090-2	TRANSISTOR BC546B	24.00
Q409, Q410	30-2096	TRANSISTOR BC556A	26.00
Q411, Q412	30-2090-2	TRANSISTOR BC546B	24.00
Q413, Q414	30-2096	TRANSISTOR BC556A	26.00
Q501, Q502	30-2084-3	TRANSISTOR BC549C	26.00
Q503, Q504	30-2085-2	TRANSISTOR BC559B	26.00
Q505, Q506	30-2096	TRANSISTOR BC556A	26.00
Q507, Q508	30-2090-2	TRANSISTOR BC546B	24.00
Q509-Q512	30-2090-2	TRANSISTOR BC546B	24.00
Q513-Q516	30-2096	TRANSISTOR BC556A	26.00
Q517-Q522	30-2090-2	TRANSISTOR BC546B	24.00
Q523, Q524	30-2096	TRANSISTOR BC556A	26.00
Q525, Q526	30-2232	FET E111	104.00
Q527	30-2096	TRANSISTOR BC556A	26.00
Q528	30-2090-2	TRANSISTOR BC546B	24.00
Q601, Q602	30-2084-3	TRANSISTOR BC549C	26.00
Q605, Q606	30-2096	TRANSISTOR BC556A	26.00
Q607, Q608	30-2238	TRANSISTOR BF423	58.00
Q609, Q610	30-2087	TRANSISTOR 2SD381	92.00
Q615, Q616	30-2237	TRANSISTOR BF422	54.00
Q617, Q618	30-2238	TRANSISTOR BF423	58.00
Q619, Q620	30-2250	TRANSISTOR MJE253	128.00
Q621, Q622	30-2249	TRANSISTOR MJE243	112.00
Q623, Q624	30-2251	TRANSISTOR MJ15003	440.00
Q625, Q626	30-2252	TRANSISTOR MJ15004	460.00
Q627	30-2090-2	TRANSISTOR BC546B	24.00
Q629	30-2096	TRANSISTOR BC556A	26.00
Q631, Q632	30-2083	TRANSISTOR BD139	68.00
Q633, Q634	30-2090-2	TRANSISTOR BC546B	24.00
Q635, Q636	30-2096	TRANSISTOR BC556A	26.00

PARTS LIST

SYMBOL NO	PARTS NO	DESCRIPTION	REF
Q801	30-2083	TRANSISTOR BD139	68.00
Q802	30-2096	TRANSISTOR BC556A	26.00
Q803	30-2090-2	TRANSISTOR BC546B	24.00
Q804	30-2083	TRANSISTOR BD139	68.00
Q805	30-2082	TRANSISTOR BD140	84.00
Q806	30-2090-2	TRANSISTOR BC546B	24.00
Q807	30-2096	TRANSISTOR BC556A	26.00
Q808	30-2082	TRANSISTOR BD140	84.00
IC401, IC402	30-3112	IC U267	520.00
SW1	31-1143F	Rotary SW. RZL66FLA02	264.00
SW2	31-1142F * A	Rotary SW. RZV46FL006	218.00
SW3, SW4	31-1137F * A	Push SW. SUE22FL001	97.00
SW5, SW7	31-1137F * A	Push SW. SUE22FL001	97.00
SW6	31-1162F	Rotary SW.	214.00
SW8, SW9, SW11	31-1164F	Push SW.	194.00
SW10	31-1024F	Rotary SW. RZV44FL016	229.00
SW12	31-1079F	Slide SW. SSB23FL025	53.00
SW13	31-1129A * A	Power SW. SDU3PE16	340.00
TB1, TB2	35-3018	Breaker A-40	88.00

NAD (USA), INC.

675 Canton Street
Norwood, Massachusetts 02062
Telephone: (617) 769-7050 Telex: 924442



5/27/81

SERVICE BULLETIN

SB USA 025 3140 RFI, POWER LINE TRANSIENT INTERFERENCE

We have received complaints of RF interference (CB radio, nearby transmitter, etc).

This can be cured as follows: (Please Note: Instructions are given for left channel; right channel is done identically)

- 1) Connect series network of 470 PF cap and 47 ohm res. from gate, Q401 to base, Q403.
- 2) Connect 22 PF cap from base to collector, Q405 (or, change C413 to 47 PF)
- 3) Cut foil, install 1K res. in series with base, Q501
- 4) Connect 100 PF cap from base to emitter, Q501
- 5) Cut foil, install 1K res. in series with base, Q633
- 6) Connect 1000 PF (.001uF) cap from base to emitter, Q633
- 7) Cut foil, install 1K res. in series with C649
- 8) Connect 1000 PF cap from base to emitter, Q601

This completes RFI mod. You should also install stability mod, service bulletin #026.

Paul Ceurvels

National Service Manager

PS: Please note that this mod is factory installed on bottom of PCB, later runs of PCB parts #19-1122E, and on the top of revised PCB, part #19-1122F; These sets will have no RFI trouble. (Number is on bottom, under fuses)

A

NAD (USA), INC.

675 Canton Street
Norwood, Massachusetts 02062
Telephone: (617) 769-7050 Telex: 924442



SERVICE BULLETIN

SB USA 026 3140 FUSE BLOWING, PARASITICS

We have received complaints of fuses blowing for no apparent reason, parasitic oscillation, and distorted sound; which is aggravated by long cabling with high inter-cable capacitance.

To cure, simply remove bottom cover, and connect the ground foil of the "Tape 2 Rec" jack to the ground foil of the "Normal In" jack. These foils are located under the rear panel; connection is most easily made by scraping away the green paint, and shorting the foils together with a drop of solder.

NOTES:

- 1) This mod applies to units with metal-case output transistors only.
- 2) Output transistor mounting screws should also be checked for looseness, and tightened, if necessary.
- 3) Check part no. of rear PCB (on bottom, under fuses). If 19-1122D, please change chassis ground point as follows (as seen from bottom, knobs facing you): Cut ground foil immediately to left of chassis ground point near input jacks. Scrape off paint, short chassis ground foil to "Tuner" ground foil. This will also improve hum level on phono.

Paul Ceurvels

A handwritten signature in cursive script, appearing to read "Paul Ceurvels".

National Service Manager

PS: Also see service bulletin 025

NAD (USA), INC.

675 Canton Street
Norwood, Massachusetts 02062
Telephone: (617) 769-7050 Telex: 924442



5/27/81

SERVICE BULLETIN

SB USA 027

3140 SPEAKER CIRCUIT BREAKER

Due to error at the factory, a few sets were produced with incorrect size speaker circuit breaker, which may trip prematurely under heavy loading.

The correct size is 4.0 amp, marked "A - 40" (P/N 35-3018). The wrong size is 2.2 amp, marked "A - 22" (P/N 35-3011).

Paul Ceurvels

A handwritten signature in cursive script, appearing to read "Paul Ceurvels", written over the typed name.

National Service Manager

NAD (USA), INC.

675 Canton Street
Norwood, Massachusetts 02062
Telephone: (617) 769-7050 Telex: 924442



SERVICE BULLETIN

SB USA 031 3140, PHONO 1 W/ADCOM M.C. CARTRIDGE

7/24/81

When using Adcom high output M.C. cartridge, please load cartridge with 1000 ohms; failure to do so may result in instability.

This can be most easily done using 2 "Y" adapters, 2 1000 ohm resistors, and 2 phono plugs. Solder the resistors into the plugs; connect phono cables to one leg of each "Y" adapter, 1K resistor plugs to the other legs, and plug adapters into "Phono 1".

Adcom tells us of no measurable performance degradation, except that cartridge output level will decrease 1/4 DB, which is not significant.

Paul Ceurvals

A handwritten signature in cursive script, appearing to read "Paul Ceurvals".

National Service Manager

NAD (USA), INC.

675 Canton Street
Norwood, Massachusetts 02062
Telephone: (617) 769-7050 Telex: 924442



SB USA 033

VOLTAGE CONVERSION INSTRUCTIONS

9/1/81

Attached Diagrams:

- Fig. 1, 2 Power Transformer Primary Wiring
- Fig. 3 3140 Transformer Interwiring
- Fig. 4 U.S. Type Power Switch & Grounding
- Fig. 5 Overseas Type (220V) Power Switch & Grounding

NOTES:

- 1) Check primary wires for presence of blue or green wire, and proceed accordingly. Some early amps, tuners, & receivers are not voltage convertible, and must be used with an external step-up or step-down transformer; these units have power transformer part numbers ending in "-1", "-2", "-3", and "-4".
- 2) Power is usually taken from the rear panel switched outlet.
- 3) Sometimes there is a thin, black wire which is connected to the chassis. This is the electrostatic ground, do not disturb it.
- 4) Unused wires must be insulated. Please use electrical tape or wire nuts (preferably).
- 5) Some overseas units have a chassis ground wire (green or green/yellow) in the power cord, which is not used in the U.S.. Instead, in the U.S., a resistor (2.7m, 1/2w) is connected from the switched ("HOT") side of the AC line to the chassis.
- 6) For 220/240 volt use, both sides of AC line should be switched. Bypass both switches with 2200pf, 250VAC (400VDC) capa, for arc suppression. For 110/120 volt use, only one side of AC line requires switching (bypass with 4700pf, 125VAC (250VDC) capa).
- 7) Don't forget to check the FM de-emphasis switch, on the rear panel, for correct setting (tuners & receivers only).
- 8) Tuners, amplifiers, receivers, and tape decks require no frequency conversion.
- 9) Turntables bought in the U.S. are not voltage convertible; an external transformer is required; use 15 watt size or larger. Motor pulleys for cycle change of models 5020 and 5020A are available from our parts department. Models 5040, 5080, and 5080A require no frequency conversion.
- 10) Tape decks are not voltage convertible, and require an external transformer; (minimum size as stated on label next to power cord; usually 15 to 75 watts). No frequency conversion is needed.
- 11) 3140 has twin transformer. Please wire each transformer individually for the correct voltage; then connect both transformers in parallel, at the switched outlet.

NAD (USA), INC.

675 Canton Street
Norwood, Massachusetts 02062
Telephone: (617) 769-7050 Telex: 924442



- 12) Don't forget to change the main fuse. At 220 volts, a set requires half the current which it requires for 110 volts; and vice versa. The wrong size fuse will either blow prematurely, or may not provide sufficient safety margin, in event of overload.

Paul J. Ceurvels

A handwritten signature in cursive script, appearing to read "Paul J. Ceurvels", written in black ink.

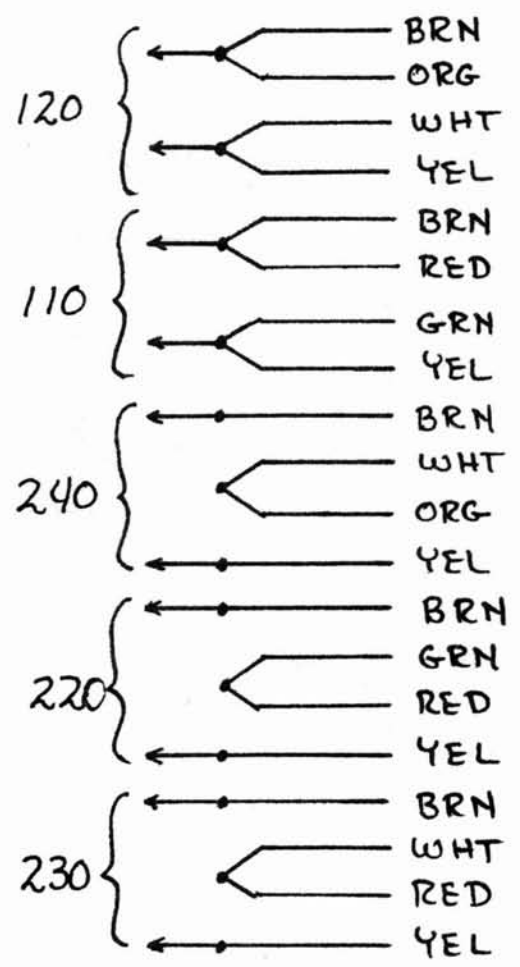
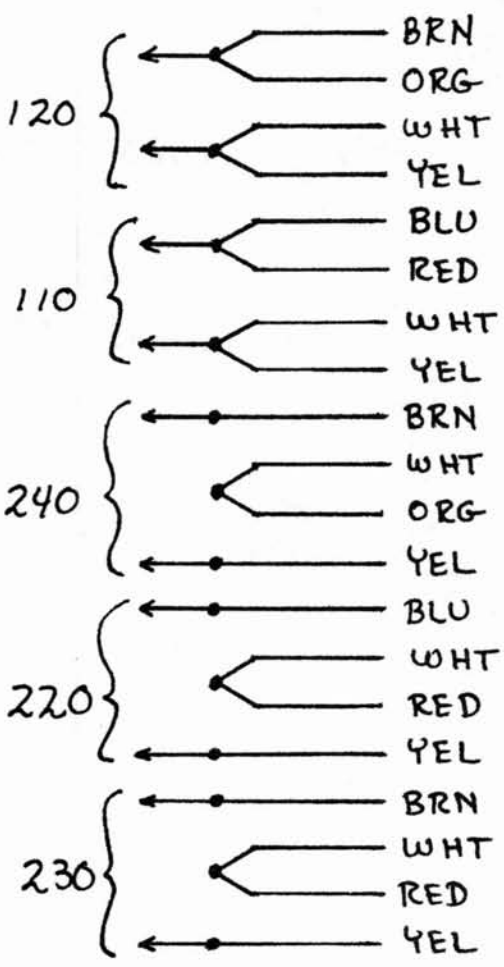
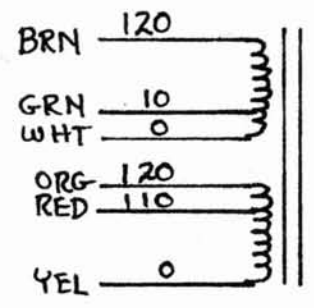
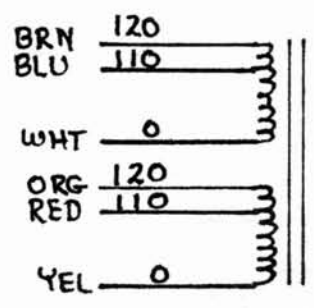
National Service Manager

F

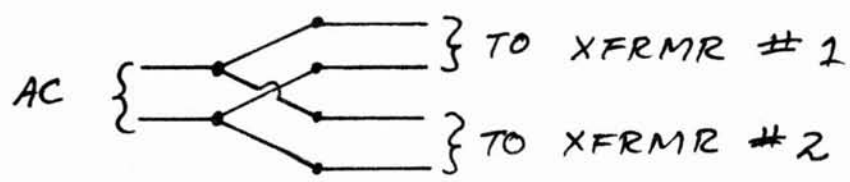
NAD SBUSA 033; VOLTAGE CONVERSION

1) w/ BLUE TAP WIRE

2) w/ GREEN TAP WIRE



3) 3140 ; TWIN TRANS FORMERS

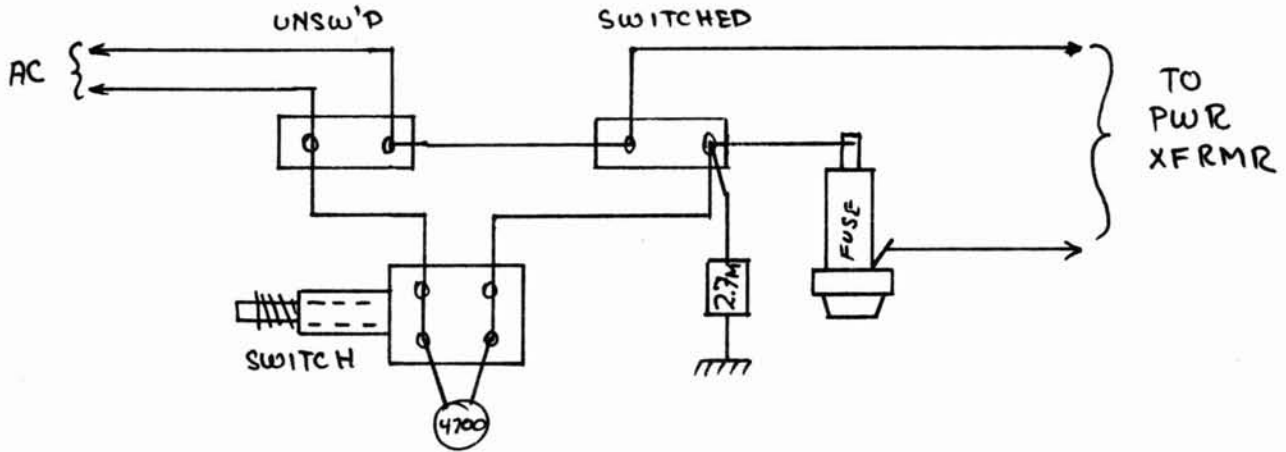


NOTE: WIRE EACH XFRMR AS IN #2 ABOVE; THEN IN PARALLEL, AS SHOWN

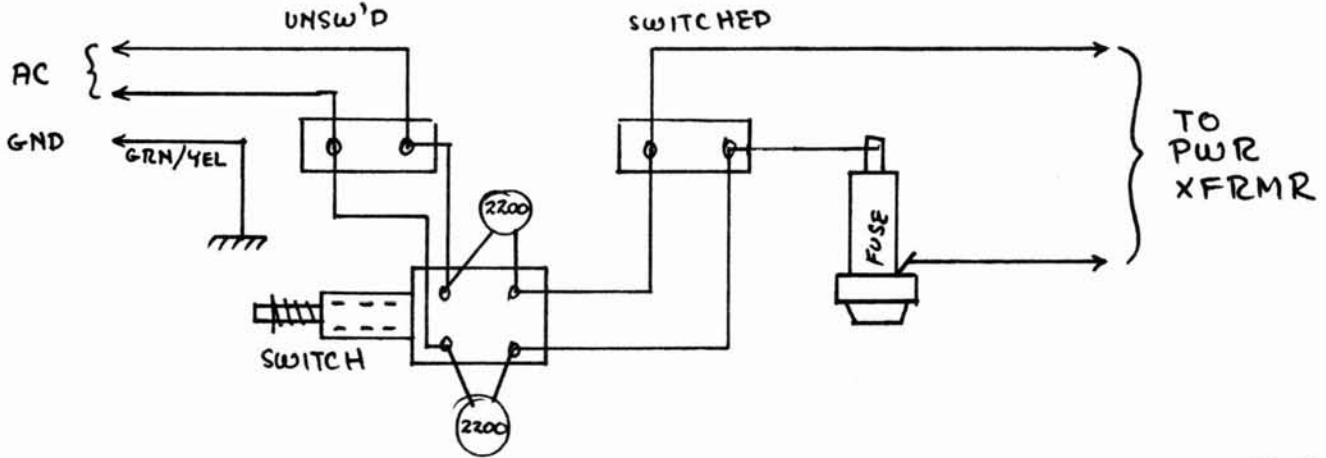
G

8-28-81 P. CEURVELS

4) US TYPE, ONE SIDE OF LINE SWITCHED



5) OVERSEAS TYPE, BOTH SIDES OF LINE SW'D



8-28-81 P. CEURVELS

NAD (USA), INC.

675 Canton Street
Norwood, Massachusetts 02062
Telephone: (617) 769-7050 Telex: 924442



SERVICE BULLETIN

SB USA 034

2140, 3140 IDLE CURRENT, OVERHEATING

9/3/81

Occasionally, you may find a unit which idles hot. This can be caused by misadjustment of the idle current trimpots VR603, 604, as a result of vibration in shipping.

To cure, reset the Trimpots, after performing the following modification, which makes the trimpots less "Touchy":

- 1) Change R639, 640 from 1K2 to 3K3, $\frac{1}{4}w$
- 2) Change R641, 642 from 180 to 1K, $\frac{1}{4}w$
- 3) Change R6123, 6124 from 560 to 1K $\frac{1}{4}w$ (missing on some early sets)

To reset Idle Current:

- 1) Turn set upside down, using a block of wood or a book, as a spacer, to allow air to flow.
- 2) Set bias pots VR603, 604 fully counterclockwise.
- 3) Connect meter from Emitter to Emitter, of output transistors.
- 4) Slowly "Turn Up" idle current to approx. 80% of desired value.
- 5) Allow to thermally stabilize, and reset.

Note:

Set idle current according to emitter resistors R657, 658, 659, 660, as follows:

- A) If .1 ohm, adjust for 6mV (5 - 7mV limit)
- B) If .22 ohm, adjust for 14mV (12 - 15mV limit)

This will result in an idle current of 30mA.

Paul J. Ceurvels

National Service Manager

NAD (USA), INC.

675 Canton Street
Norwood, Massachusetts 02062
Telephone: (617) 769-7050 Telex: 924442



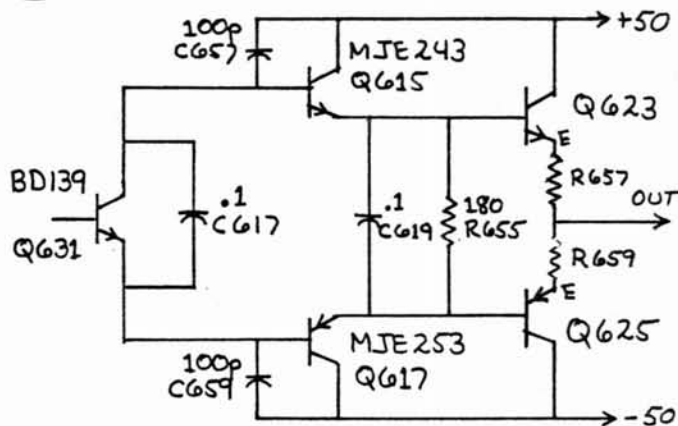
SERVICE BULLETIN

SB USA 035

2140, 3140 POWER AMP

9/3/81

Later 2140, (3140's) have simplified power amp driver stage, left channel shown:



- Q623: MJ15003 OR 2SC2565
- Q625: MJ15004 OR 2SA1095
- R657, 659: .1 Ω OR .22 Ω , 5W

The changes are:

- 1) Q615, 616; BF 422; Change to MJE 243
- 2) Q617, 618; BF 423; Change to MJE 253
- 3) Q619, 620; MJE 253; Removed (used as Q617, 618)
- 4) Q621, 622; MJE 243; Removed (used as Q615, 616)
- 5) R647, 648, 649, 650; 330 ohm; Change to jumper wire
- 6) R651, 652, 653, 654; 3.3 ohm; Removed, not used

NOTE:

Set idle current (approx. 30mA) according to emitter resistors (R657, 658, 659, 660); measure from Emitter to Emitter, as follows:

- A) If .1 ohm, set for 6mV (5-7mV, limit)
- B) If .22 ohm, set for 14mV (12-15mV, limit)

Paul J. Ceurvels

National Service Manager

NAD (USA), INC.

675 Canton Street
Norwood, Massachusetts 02062
Telephone: (617) 769-7050 Telex: 924442



SERVICE BULLETIN

SB USA 039

3140, POP OF LOW LEVEL SWITCH

10/22/81

It is normal for Low Level Switch to "pop" slightly when pushed. However, if the "pop" appears only when the Speaker EQ Switch is "OFF", it could be that the Speaker EQ Circuit is oscillating supersonically.

This can be checked by monitoring the preamp output jacks with an oscilloscope while pressing the Low Level Switch, with Speaker EQ off.

Should this be the problem, correct as follows:

- 1) Remove bottom cover
- 2) Install (2) 22pf capacitors from base Q523, Q524 to circuit ground at R5105.

Please note that this problem is limited to sets using Siemens small signal transistors, which are marked on the side of their bodies. Units having Philips transistors, marked on their tops, DO NOT exhibit this phenomenon.

Paul J. Ceurvels

A handwritten signature in cursive script that reads "Paul J. Ceurvels".

National Service Manager

PS: An alternate cure is to change C553, C554 from 220pf to 330pf; this is now done in production.

1K

NAD (USA), INC.

675 Canton Street
Norwood, Massachusetts 02062
Telephone: (617) 769-7050 Telex: 924442



SERVICE BULLETIN

SB USA 040

3140, 2140 BRIDGED STABILITY

10/22/81

3140, 2140 can be made more stable in the bridged mode by relocating the bridging signal pickoff point, as follows:

- 1) Turn unit over, knobs facing you, remove bottom cover
- 2) Locate wiper (middle terminal) of left half of bridge switch, cut foil just to left of wiper
- 3) Connect one end of a 10½" piece of insulated wire to the bridge switch wiper
- 4) Connect other end of wire to rearward terminal of choke coil L602 (2" forward of left-most output transistor), immediately behind lettering "SFL - SB - 2A94V1" or "AE3" (depends on production run).

Paul J. Ceurvels

A handwritten signature in cursive script that reads "Paul J. Ceurvels".

National Service Manager

NAD (USA), INC.

675 Canton Street
Norwood, Massachusetts 02062
Telephone: (617) 769-7050 Telex: 924442



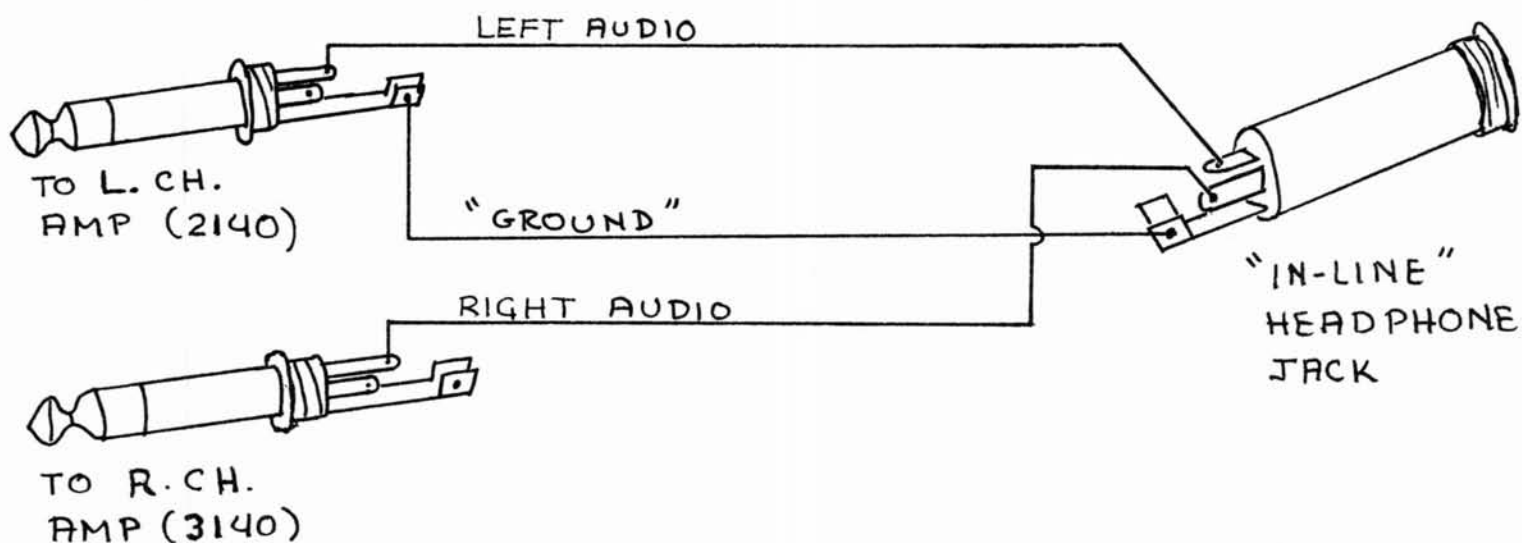
SERVICE BULLETIN

SB USA 041

3140, 2140 BRIDGED HEADPHONES

10/22/81

To use headphones with bridged 3140, 2140, please make up an adaptor as follows:



NOTES:

- 1) Connect jack ground to only ONE plug, as shown. This avoids ground loops.
- 2) Headphone plug - Radio Shack 274-139 or equivalent
- 3) Inline jack - Radio Shack 274-141 or equivalent.

Paul J. Ceuryels

National Service Manager

NAD (USA), INC.

675 Canton Street
Norwood, Massachusetts 02062
Telephone: (617) 769-7050 Telex: 924442



SERVICE BULLETIN

SB USA 042

3140 PHONO PREAMP STABILITY

10/27/81

When operated under extremely adverse conditions (Low Line Voltage; using highly inductive cartridge, such as Adcom; bridged operation at high volume and heavy, reactive loading), phono preamp may show signs of instability.

To cure this, proceed as follows:

- 1) Change R403, R404 from 220 ohm to 2K2 1/4 watt, carbon film
- 2) Change R417, R418 from 10K to 2K2 1/4 watt, carbon film
- 3) Cut foil, add solder shorts so that R411, R412 are connected to -25V supply, not to emitters of differential amp transistors Q405, 407 and Q406, 408
- 4) Remove C413, C414 if present

Please note that a unit modified in this fashion does not require external, additional loading of the cartridge (as described in bulletin SB USA 031), although doing so will have no adverse effects.

Paul J. Ceurvels

A handwritten signature in cursive script, appearing to read "Paul J. Ceurvels".

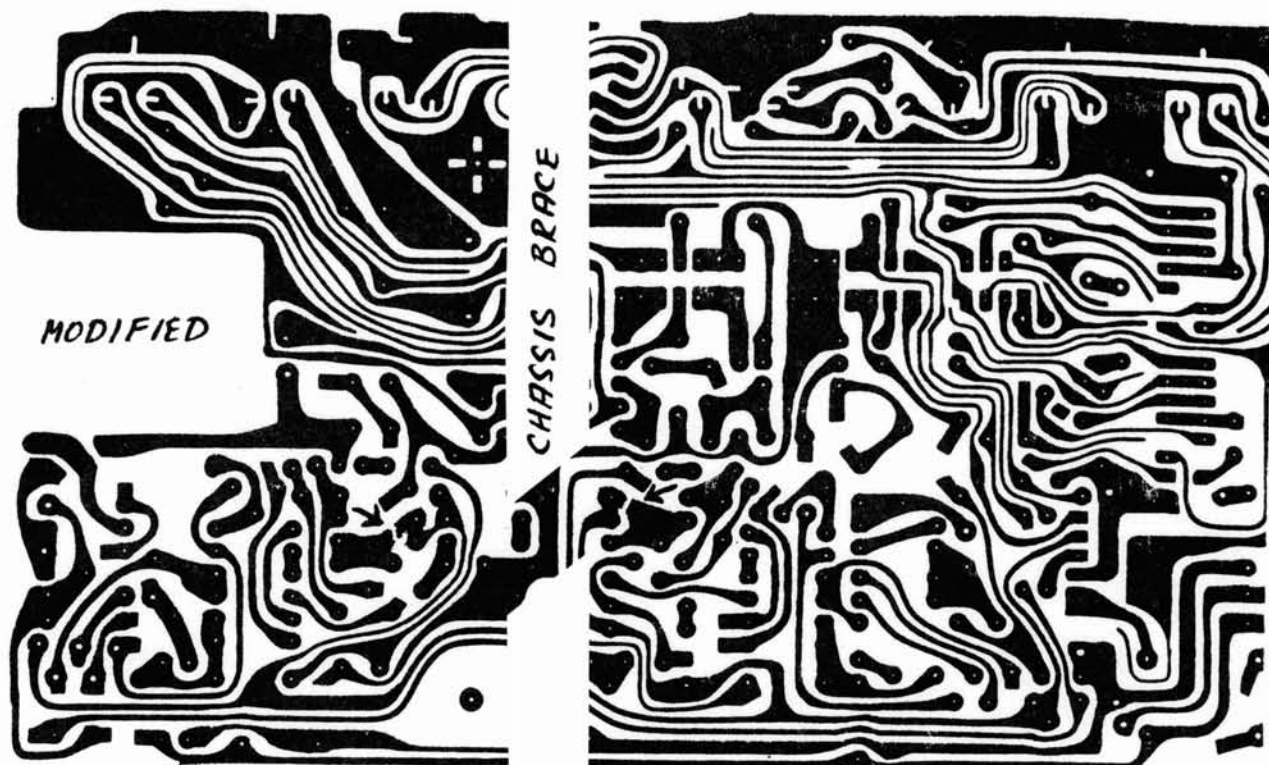
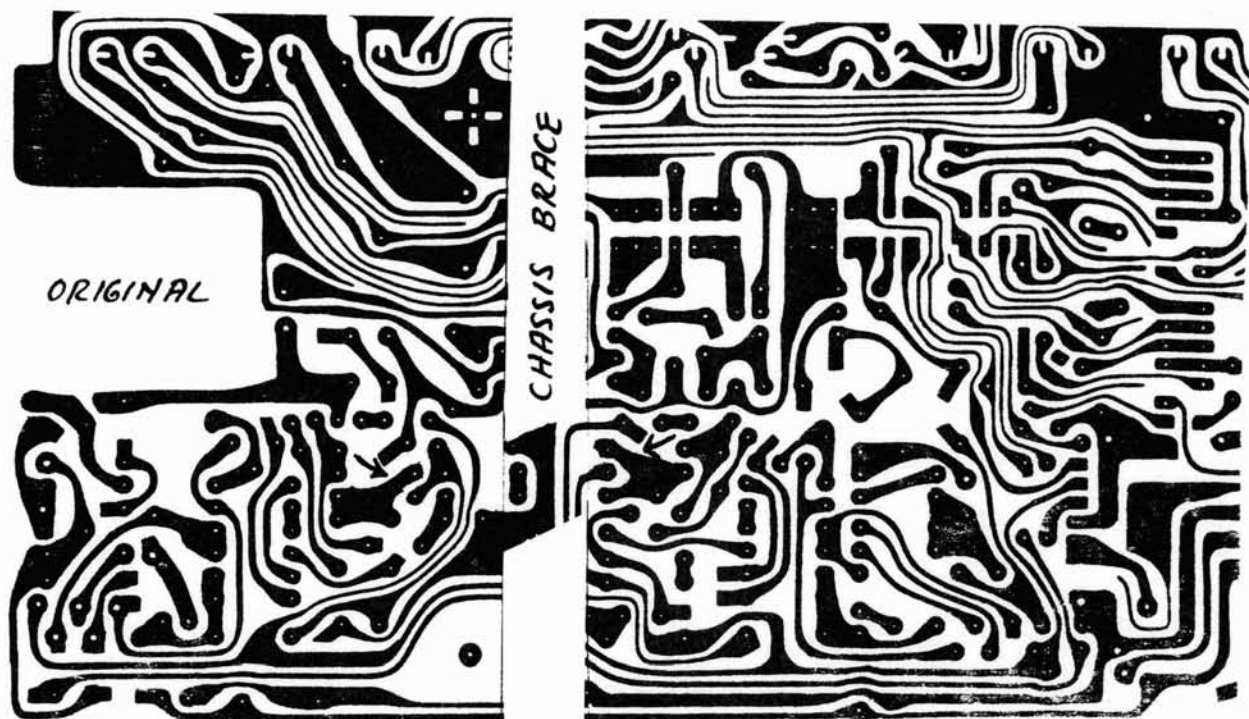
National Service Manager

N

SB USA 042 , STEP 3

NOTE: AFFECTED AREA IS ON BOTH SIDES
OF "BREAK" IN CHASSIS BRACE,
SEE ARROWS

P.C.



NAD (USA), INC.

675 Canton Street
Norwood, Massachusetts 02062
Telephone: (617) 769-7050 Telex: 924442



SERVICE BULLETIN

SB USA 054

2140/3140 FILTER CAPACITORS

5/26/82

Be aware that a small number of 2140/3140's were manufactured with incorrect main power supply filter capacitors, C801, 802, 803, and 804.

They are located in a group near the back of the unit.

Incorrect: 6800 uf 35v

Correct: 4700 uf 50v, p/n 17-5P478Y

Please check these 4 capacitors at time of servicing.

Regards,

*Paul J. Ceurvels
National Service Manager*

REC'D JUN 18 1982

P

NAD (USA), INC.

675 Canton Street
Norwood, Massachusetts 02062
Telephone: (617) 769-7050 Telex: 924442



SERVICE BULLETIN

SB USA 065

5/24/83

2140, 3140 STATUS LED FAILURE, BURNT RESISTORS

You may receive complaints of dead status LED's (power on, soft clip, SLC on) or burnt resistors R213, R214, R215.

These resistors are in series with the LED's, and are located just forward of the soft clip and SLC switches. In early units, they are not quite large enough for the power dissipated. This can lead to early failure, especially under conditions of high AC line voltage.

Should this happen, replace these resistors as follows:

- R213: 6K8 $\frac{1}{2}$ w (for SLC on, yellow)
- R214: 5K6 $\frac{1}{2}$ w (for soft clip, green)
- R215: 4K7 $\frac{1}{2}$ w (for power on, red)

For best heat dissipation, please mount them upright (not "Lying Down").

Later units are made with larger resistors, eliminating this problem.

Regards,

Paul J. Ceurvels
National Service Manager

Q

NAD (USA), INC.

675 Canton Street
Norwood, Massachusetts 02062
Telephone: (617) 769-7050 Telex: 924442



SERVICE BULLETIN

SB USA 066

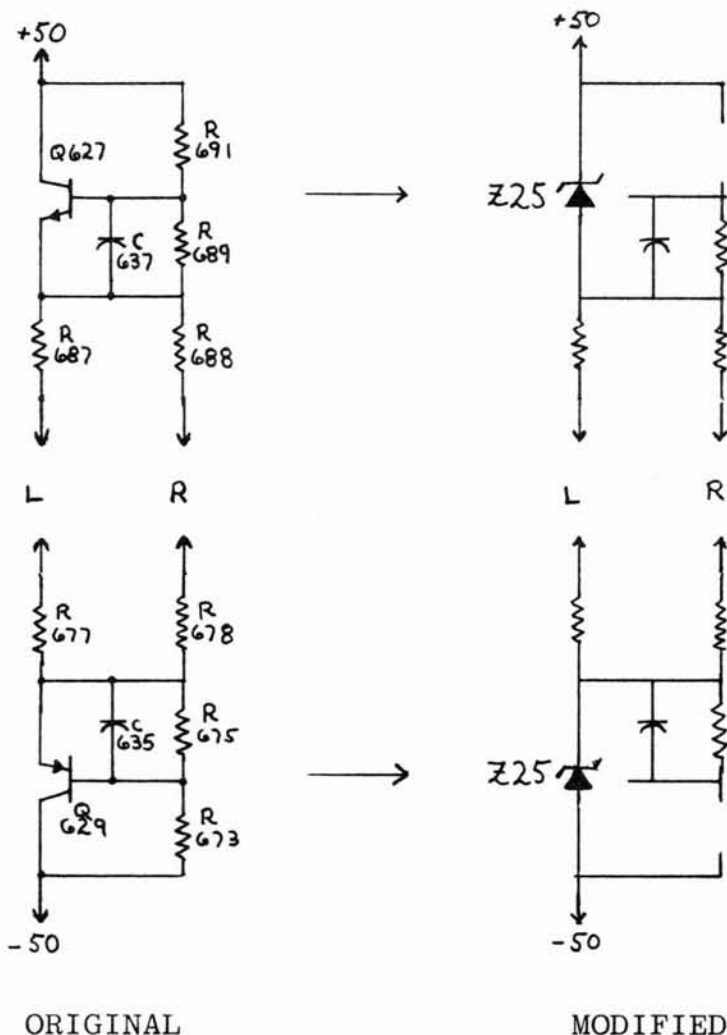
2140, 3140 SOFT CLIP IMPROVEMENT

5/24/83

As the circuit is originally designed, the soft clip threshold is dependent upon the beta (gain) of transistors Q627, Q629. If these transistors are out of spec, or defective, soft clip operation will be adversely affected (usually resulting in distortion).

Should this be the case, please modify as follows:

- 1) Remove Q627, Q629, R673, R691.
- 2) Install 25V $\frac{1}{2}$ w zener from emitter to collector, Q627, Q629.



2140, 3140 SOFT CLIP

R

NOTE:

Install zeners with cathode (stripe) to the right, as seen from front of unit.

Regards,

A handwritten signature in black ink, appearing to read "Paul J. Ceurvvels". The signature is fluid and cursive, with a long horizontal stroke at the end.

Paul J. Ceurvvels
National Service Manager

P.S.

Please note that later production units are manufactured with a similar circuit:

- 1) Transistors Q627, Q629 are replaced with 22V $\frac{1}{2}$ w zeners.
- 2) Resistors R677, R678, R687, R688 are changed from 2.7K to 3.3K, $\frac{1}{4}$ w.